



# GAZEBO Penguin inc.

4660 HICKMORE ST.  
MONTREAL, QUEBEC  
H4T 1K2  
TEL: 1-514-276-3485, 1-800-737-7174  
Email: customerservice@gazebopenguin.com

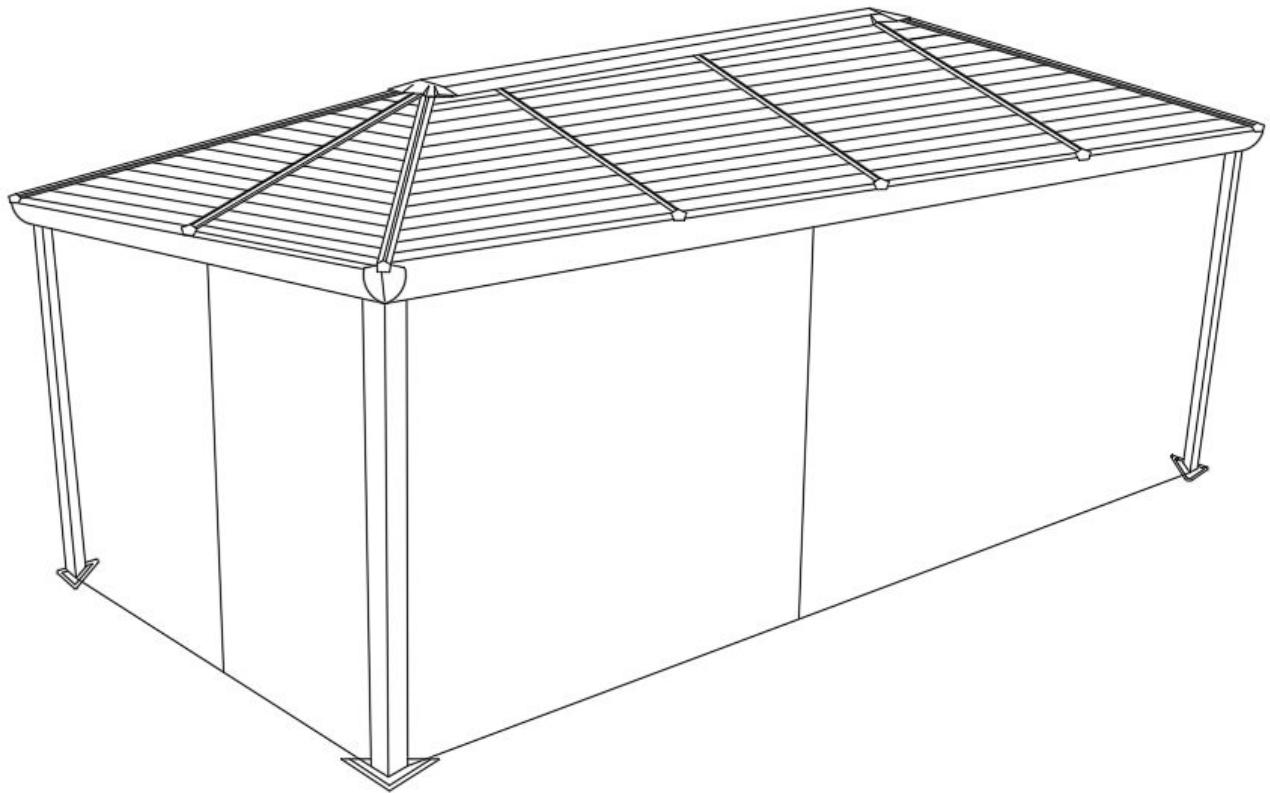
**43204MR-22  
BROWN**

**METAL ROOF 10'x14' GAZEBO**

**ASSEMBLY INSTRUCTIONS**

PLEASE READ  
IN ITS ENTIRETY  
BEFORE  
INSTALLATION

PLEASE READ  
IN ITS ENTIRETY  
BEFORE  
INSTALLATION



**DO NOT DESTROY THE BOXES UNTIL COMPLETELY ASSEMBLED  
FOR FUTURE REFERENCE,  
TAKE PICTURES OF ALL SIX SIDES OF EACH OF THE BOXES UPON RECEIPT.  
PLEASE VERIFY THE CONTENT OF EACH BOX AGAINST THE LIST OF PARTS**

Assembly With Two Or More Adults Recommended

Base Dimensions 8' 9" x 13' 4"  
Largest Dimensions 9' 9" x 14'  
Overall Height 108.5"

{ APPROX. }

**DO NOT DESTROY THE BOXES UNTIL COMPLETELY ASSEMBLED  
FOR FUTURE REFERENCE,  
TAKE PICTURES OF ALL SIX SIDES OF EACH OF THE BOXES UPON RECEIPT.  
PLEASE VERIFY THE CONTENT OF EACH BOX AGAINST THE LIST OF PARTS**

**10ft x 14ft / 3.048m x 4.26m GAZEBO**

**Instruction Manual**

**IMPORTANT: RETAIN FOR FUTURE REFERENCE, READ CAREFULLY**

**Consult with your local governing authority / local municipal codes regarding installation of temporary structures before purchase or assembly. Some jurisdictions may require permits for, or otherwise regulate, installation and use.**

For assistance with assembly, installation, parts, or customer service, contact Gazebo Penguin Customer Service Department at the numbers listed below (English & French, Mon-Fri 8:00 AM to 4:00 PM EST):

**Montreal:** (514) 276-3485

**Elsewhere in Canada and the US:** 1-800-737-7174

**WARNING:**

- For outdoor use.
- Snow should be regularly cleared from the roof and not allowed to accumulate.
- Retain your **proof of purchase** for warranty purposes. Also keep the **original boxes** until the installation is complete and correct.
- The unit may take more than 4 hours and 3 people are required for this assembly.



**PRIOR TO ASSEMBLY:**

- Please don't destroy boxes until completely assembled.
- The foundation must be level, flat, and solid, such as concrete or asphalt.
- Keep away from overhead utility lines, tree branches, and other structures.
- Check for underground pipes or wires if digging or drilling is required.
- Do not install near roof lines or other structures that could shed snow, ice, or excessive rain run-off onto the roof top.
- Assemble the structure as close to its final location as possible.
- It is recommended to wear safety gloves, safety glasses, and hard hats for installation.
- Do not hang from, climb on, or stand on the structure or roof.
- Before assembly, read instructions and check that all parts are present in the boxes. If any parts are missing, refer to warranty information.
- A 6ft (1.8m) stepladder, Phillips screwdriver, tape measure, level, mallet, and a tarp to place parts on will be required for assembly (not included).
- Remove top protective film from roof panels prior to assembly; DO NOT remove bottom protective film until ready to insert roof panels, so as to identify which side is on top.

**ANCHORING INSTRUCTIONS:**

- Proper anchoring of the frame to the base and the wall is required for safety.
- Any structure not anchored securely has the potential to fly away during high wind causing damage and safety hazard.
- How the item is anchored, and the hardware and tools required, will vary based upon the set-up location and are not provided.
- Please check with your local hardware store if for the appropriate anchors for your surface.
- Do not anchor to pavers / pavement slabs because they are not a solid foundation.
- Periodically check the anchors to ensure they remain secure

**CARE AND MAINTENANCE:**

- In case of a defective or damaged part, or for any other questions concerning the product, please contact the manufacturer directly.
- Please have the parts list and part numbers on hand when ordering or requesting replacement parts.

**ROOF PANELS:**

- Gently clean with an environmentally-friendly soap solution and water using a sponge or washcloth.
- Do not use abrasive materials, wire brushes, chemicals, harsh cleaners, or bleach.
- Rinse using a garden hose and air dry. If removed, ensure thoroughly dry prior to storage.
- Do not use pressure washer.

**STRUCTURE:**

- Gently clean with an environmentally-friendly soap solution and water using a sponge or washcloth.
- Do not use abrasive materials, wire brushes, chemicals, harsh cleaners, or bleach.
- Rinse using a garden hose and air dry.
- Do not use pressure washer.
- If there are nicks, chips, and/or scratches see the part # of the paint in the parts list to obtain a matching touch-up paint.

## MAINTENANCE NOTES

1. In case of a defective or damaged part, or for any other questions concerning the product, please contact the manufacturer directly.
2. Please have the parts list and part numbers on hand when ordering or requesting replacement parts.
3. The product should not be installed adjacent to trees or a sloped roof. Snow and ice may slide onto the roof and cause it to collapse.
4. While the product is designed to stay assembled year long, the roof must be kept free of accumulation of snow.



## ONE YEAR LIMITED WARRANTY

This product has been designed and manufactured to meet the highest standards of quality and durability. Subject to the Conditions for Exercising the Warranty and the Limitations on the Warranty set forth below, it is warranted to be free of material and manufacturing defects for a period of **one year** from the date of purchase. Missing and damage due to transportation is not covered by the manufacture warranty. Should the product become damaged, or the warranty period has expired, please contact Gazebo Penguin Customer Service Department for a complete schedule of replacement parts and prices.

## CONDITIONS FOR EXERCISING THE WARRANTY

The warranty only applies to the original purchaser with the bill.

In order to properly exercise your warranty, please comply with the following:

Carefully inspect the contents of the carton for missing or damaged components. Should you discover damaged or missing parts, **do not return the product to the place of purchase**, but contact Gazebo Penguin Customer Service Department at the numbers listed below:

**Montreal:** (514) 276-3485

**Elsewhere:** 1-800-737-7174

You can also find a claim form to fill out online:

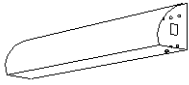

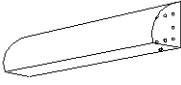

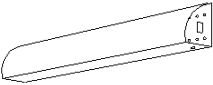



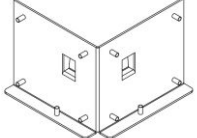

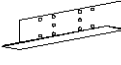

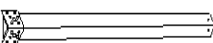
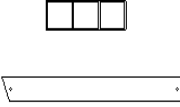
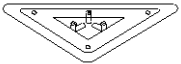
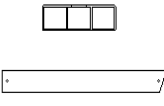

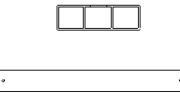


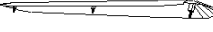

**<http://www.abrispenguin.com/forms.html>**


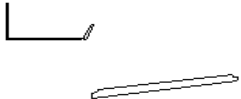


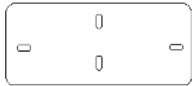
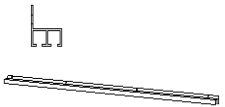
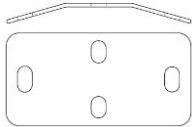
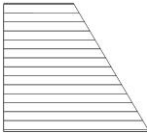
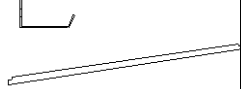
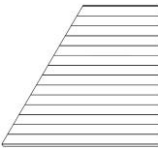

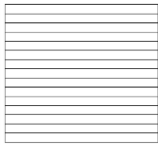

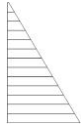
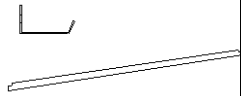

**NOTE: Damages/missing parts must be reported within 30 days of delivery. If claimed after your request might be rejected.**


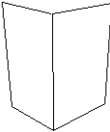
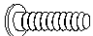
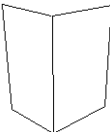
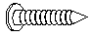
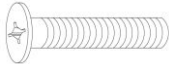
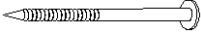
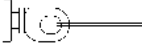
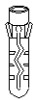


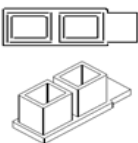

## LIMITATIONS ON THE WARRANTY

1. The product is not warranted against damages due to vandalism, abuse, falling or thrown objects, or accumulation of snow.
2. The product is not warranted against damages due to extreme weather conditions, such as thunderstorms, hail, strong wind or snow storms, or any other acts of God.
3. Leaking due to heavy rain may happen, please refer to the instruction manual for window positions and information on how to evacuate the water.
4. The product is only warranted in the event it is installed in accordance with the Gazebo Penguin's written instructions enclosed with the product.
5. The product is not warranted in the event it has been improperly anchored.
6. We reserve the right to replace or repair any defective product or parts at our discretion.
7. No change to the unit is allowed. This will void your warranty.

## 43204MR GAZEBO

PART	PACKED IN BOX	QTY	DIAGRAM	PART	PACKED IN BOX	QTY	DIAGRAM
(11-624-22) 52 3/4" TOP LEFT BEAM A	3	2		(20-021-22) 60" CENTRAL HUB L	4	1	
(11-625-22) 52 3/4" TOP RIGHT BEAM B	3	2		(20-013-22) 83" ROOF RAFTER L1	4	4	
(11-662-22) 78 1/4" TOP LEFT BEAM C	3	2		(20-014-22) 60 3/8" ROOF RAFTER L2	4	8	
(11-663-22) 78 1/4" TOP RIGHT BEAM D	3	2		(20-015-22) FINISHING BAR M	4	4	
(11-628-22) CORNER PLATE E	3	4		(20-016-22) FINISHING BAR M1	4	4	
(11-629-22) CENTER PLATE F	3	4		(20-065-22) FINISHING BAR M2	4	4	
(11-630-22) 81 1/2" LEG G	3	4		(20-017-22) SOLIDIFYING BAR N	4	4	
(11-631-22) FOOT PLATE H	3	4		(20-018-22) SOLIDIFYING BAR N1	4	4	
(11-632-22) CORNER COVER I	3	4		(20-019-22) SOLIDIFYING BAR N2	4	4	
(11-633-22) MIDDLE COVER J	3	4		(12-030-22) MOUNTING BRACKET O	4	4	
(11-664-22) 63" TOP CAP K	4	1		(20-012-22) 60 3/8" COVER ROOF BAR O1	4	8	

PART	PACKED IN BOX	QTY	DIAGRAM	PART	PACKED IN BOX	QTY	DIAGRAM
(20-011-22) 83" COVER ROOF BAR O2	4	4		(20-069-22) 51" CENTER FLASHING S	4	2	
(12-031-22) MOUNTING BRACKET P	4	8		(11-666-22) 73 1/4" CURTAIN RAIL, 14' SIDE T	4	4	
18-067-22 SOLIDIFYING BAR BRACKET P1	4	8		(11-642-22) 47 3/4" CURTAIN RAIL, 10' SIDE U	4	4	
20-060-22 SOLIDIFYING BAR BRACKET P2	4	4		(20-007-22) RIGHT LOWER ROOF PANEL V	1	4	
(20-070-22) 55 1/4" RIGHT FLASHING Q	4	4		(20-008-22) LEFT LOWER ROOF PANEL V1	1	4	
(17-053-22) FINISHING END Q1	4	8		(20-005-22) MIDDLE LOWER ROOF PANEL W	2	4	
(19-097-22) CORNER BRACKET Q2	4	4		(20-009-22) RIGHT UPPER ROOF PANEL X	2	4	
(20-071-22) 55 1/4" LEFT FLASHING R	4	4		(20-010-22) LEFT UPPER ROOF PANEL X1	2	4	

PART	PACKED IN BOX	QTY	DIAGRAM	PART	PACKED IN BOX	QTY	DIAGRAM
(20-006-22) MIDDLE UPPER ROOF PANEL Y	2	4		(11-667-22) SCREEN/ MOUSTIQUAIRE Ww	4	2 Left  2 Right	
(08-158-22) BOLT Pp	3	226	 (M6x16mm)	(11-668-22) PRIVACY CURTAIN Xx	4	2 Left  2 Right	
(08-156-22) SCREW Qq	3	108	 (M4x16mm)	(16-118-22) SCREW M6x36 Oo1	3	52	
(08-167-22) SCREW Rr	3	12	 (M6x63.5mm)	(11-705-22) CURTAIN HOOKS	3	96	
(08-193-22) PLASTIC PLUG Ss	3	12		(08-182) 10 mm KEY	3	1	
(08-187-22) WASHER Tt	3	15	 (M6)	<b>*NOT INCLUDED IN THE BOX</b>			
(11-697-22) CURTAIN RAIL CAP Uu	3	8		SPRAY PAINT	BROWN	11-726	
				PAINT PEN		18-184	
(08-189-22) ACORN NUT Vv	3	3					

## Before You Assemble the Gazebo

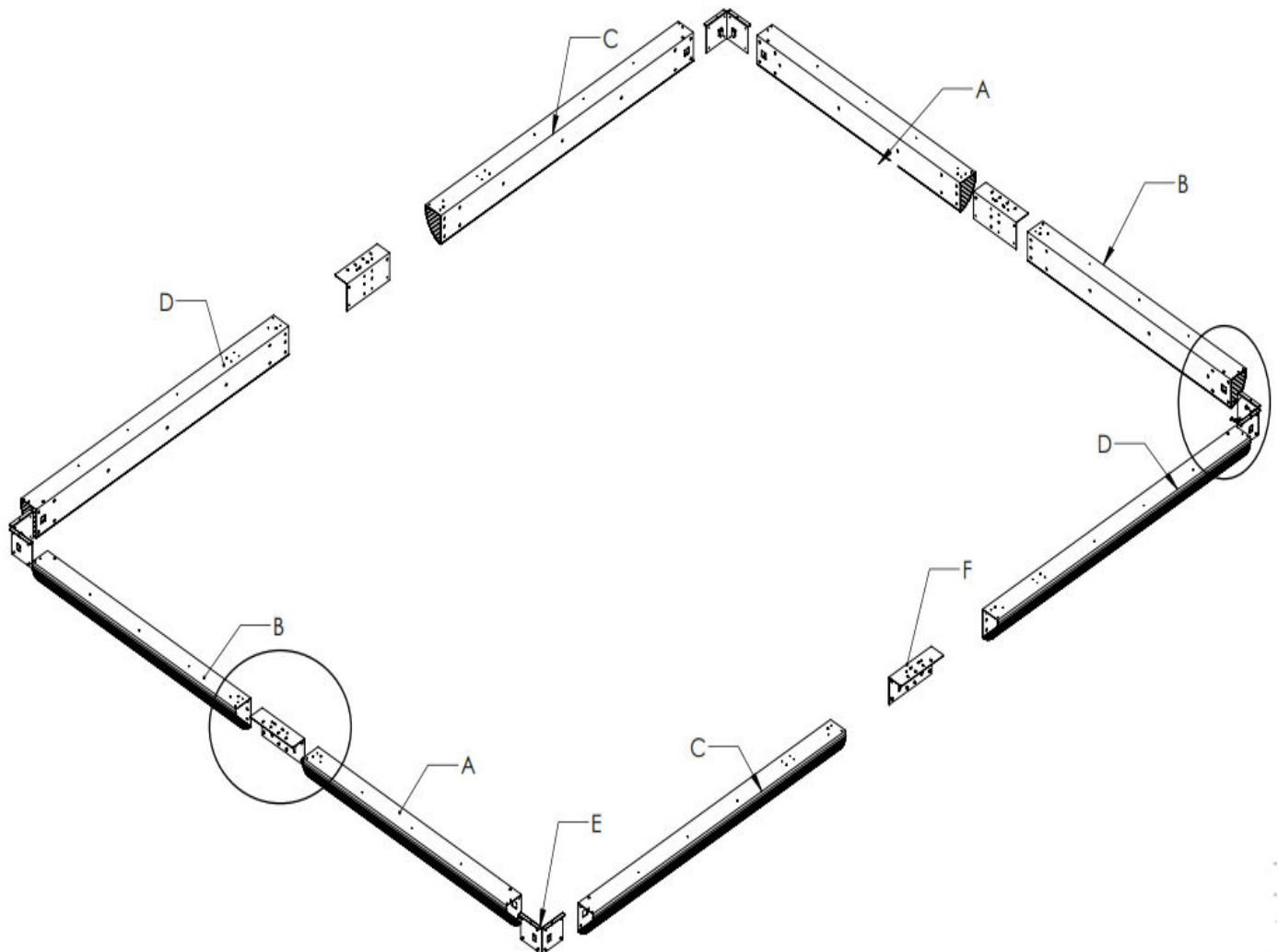
- Please don't destroy boxes until completely assembled.
- For future reference, take pictures of all six sides of each of the boxes upon receipt.
- Please verify the content of each box against the list of parts.
- It is important that this gazebo be anchored on a solid base with the provided screws. Otherwise, please ensure that you use anchors sufficient for your surface.
- The gazebo should not be installed adjacent to trees or a sloped roof. Snow and ice may slide onto the gazebo and cause it to collapse.

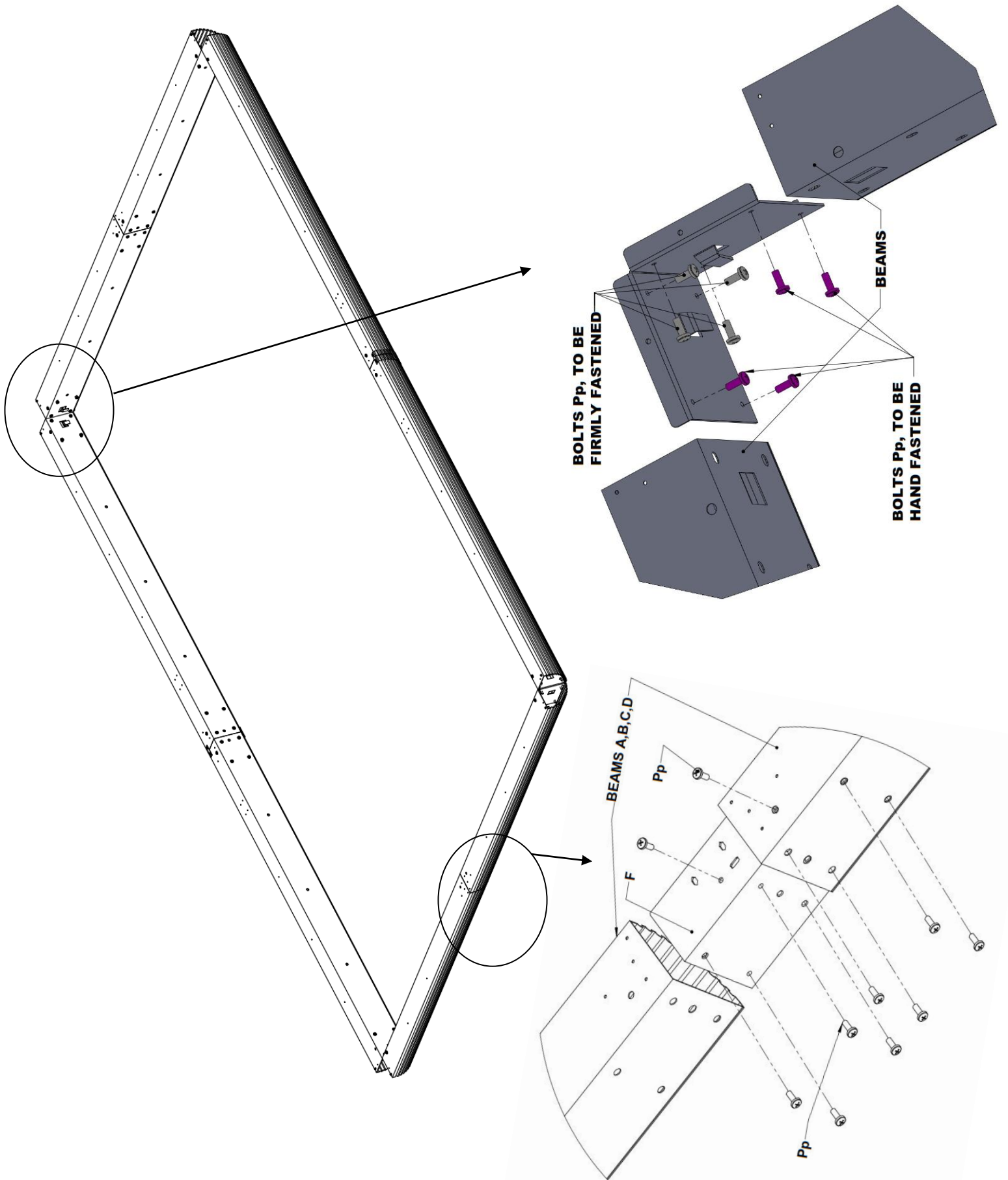
### Tools required (not provided)

- 6ft (1.8m) Stepladder
- Robinson #2 Screwdriver
- Mallet
- Safety Gloves & Glasses
- Tarp or protective material for placing parts on during assembly
- Tape Measure
- Leveling Shim

### Step 1:

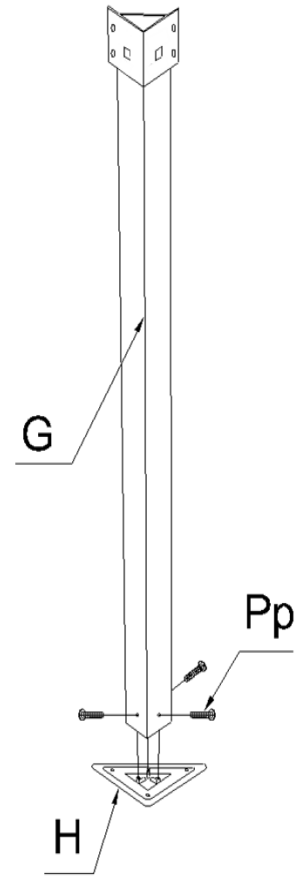
1. Assemble Beams "A" and "B" using Center Plate "F", securing tightly with 8 Bolts "Pp". Repeat with Beams "C" and "D", also using Center Plate "F".
2. Lay out the assembled Beams in a rectangle and join at each corner with a Corner Plate "E", again securing tightly with 8 Bolts "Pp".





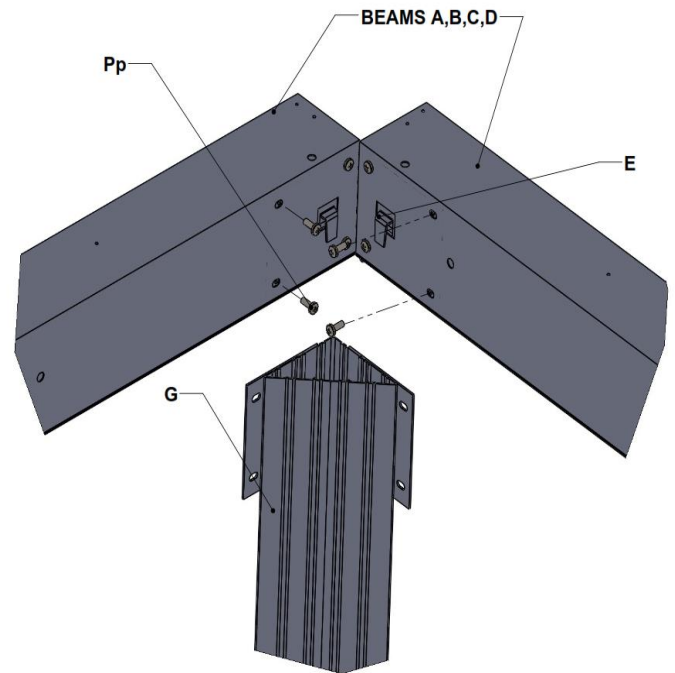
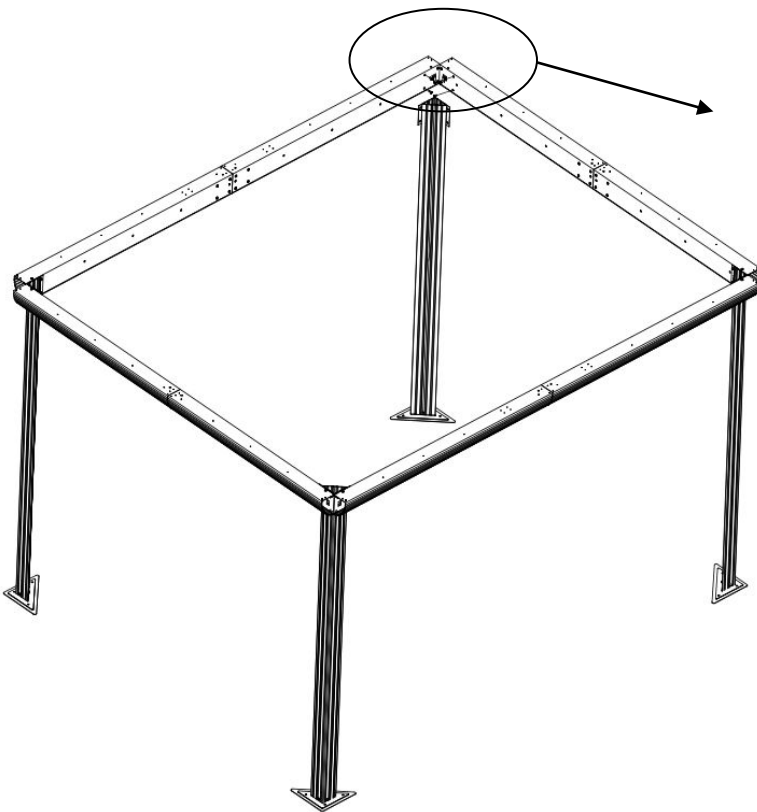
**Step 2:**

For each Leg "G", attach Foot Plate "H" using 3 Bolts "Pp".



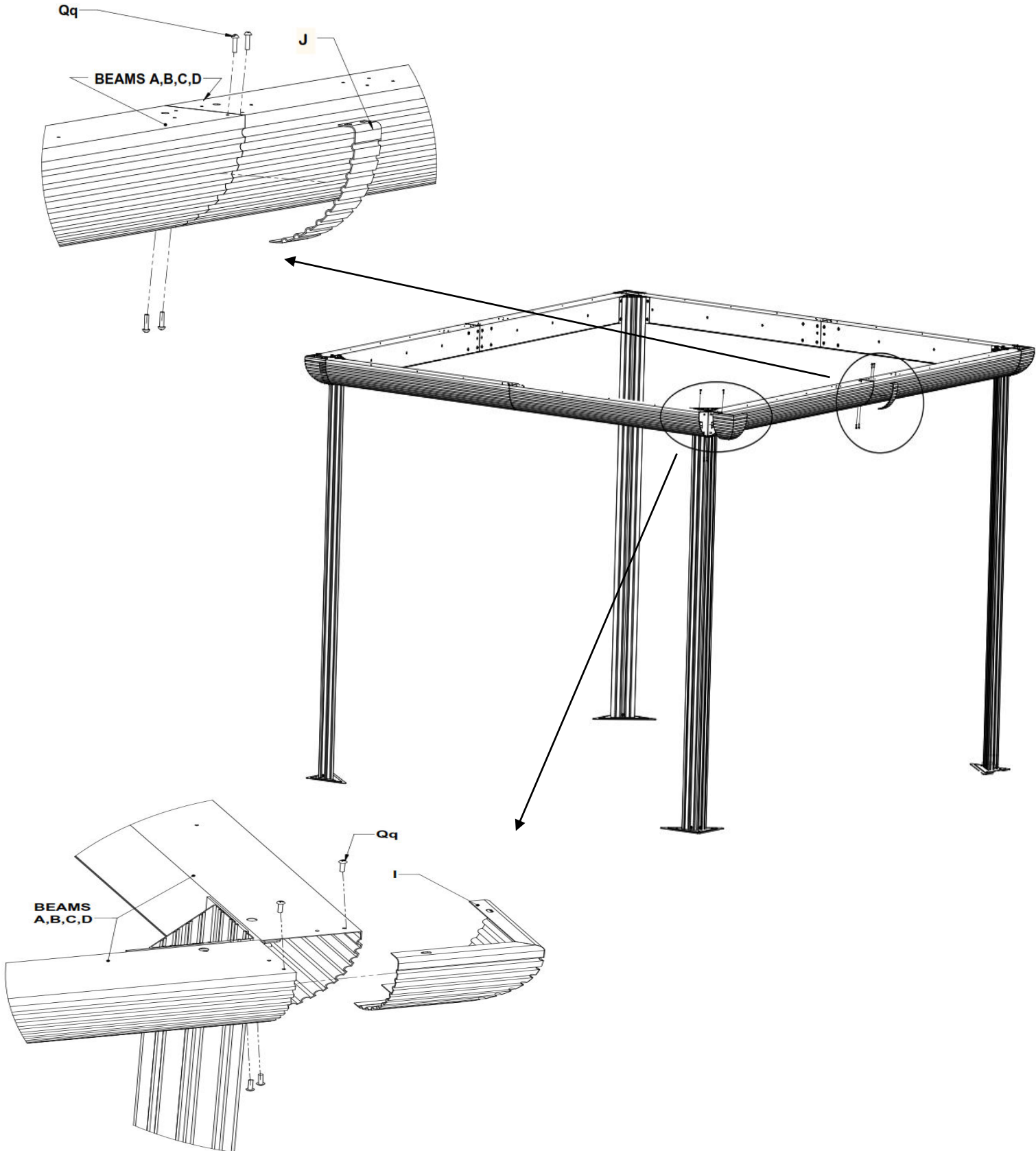
**Step 3:**

1. Unscrew 4 Pp Bolts as shown below, have someone lift the Beam assembly and attach each Leg "G" into a Corner, again securing each using 4 Bolts "Pp".
2. Repeat until all four Legs are in place.



**Step 4:**

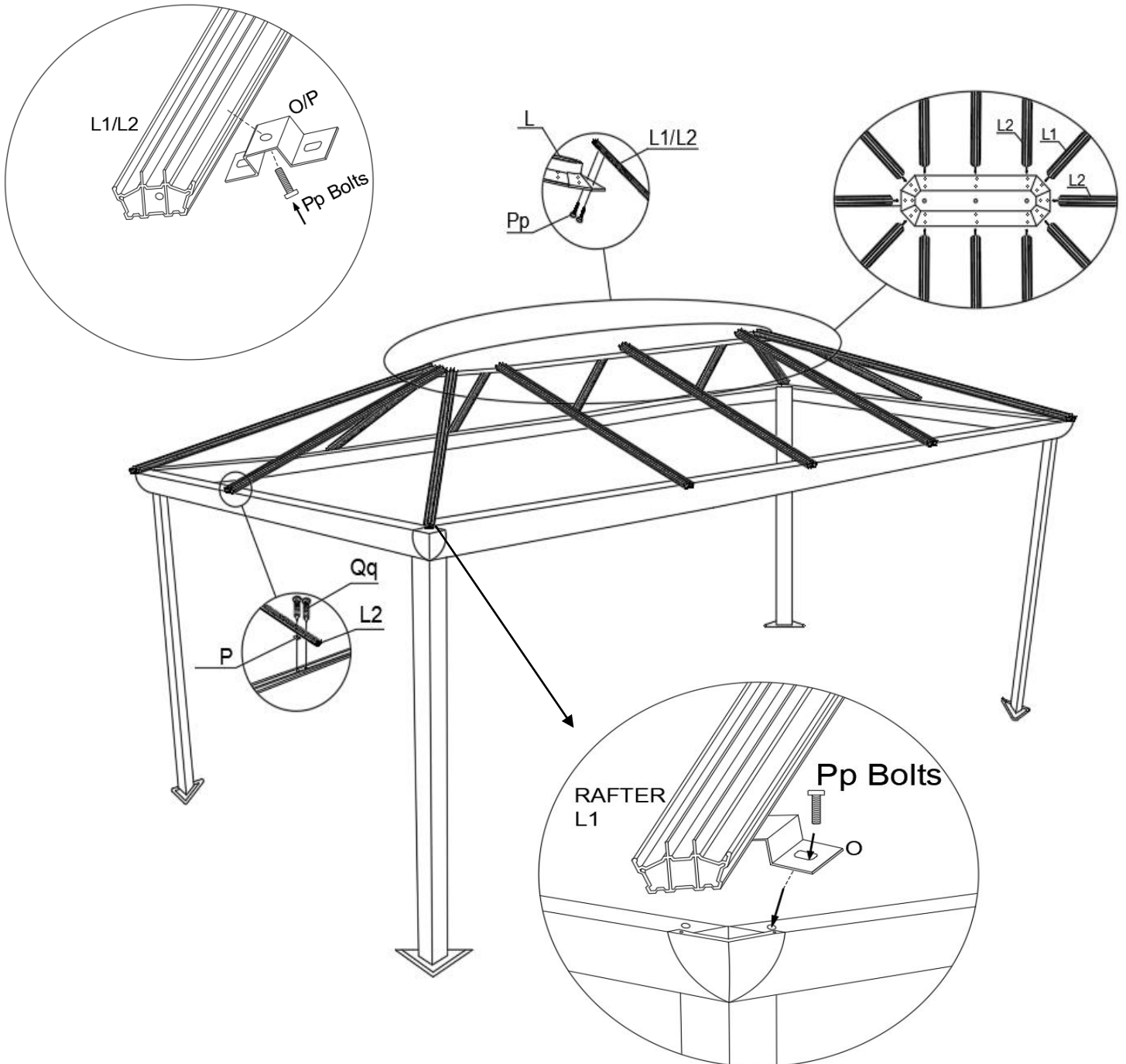
1. Install Middle Cover "J" at each of the 4 beam junctions, using 4 Screws "Qq" each.
2. Install Corner Cover "I" at each of the corners, using 4 Screws "Qq" each.



## Step 5:

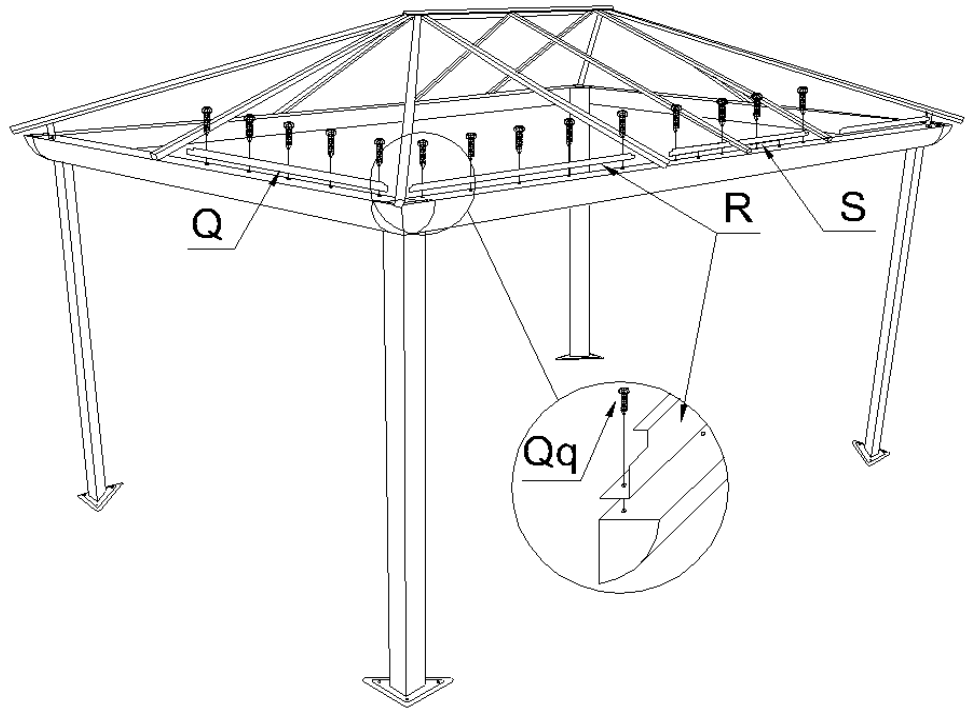
1. Screw Mounting Bracket (O) to Rafter (L1) and Bracket (P) to Rafter (L2) using the second last single insert from under the rafter using Bolt (Pp)
2. Attach Roof Rafters (L1, L2) to the Central Hub (L) using Bolt (Pp).
3. Use Screws (Qq) to affix the Rafters (L2) onto the top of the structure going through the Mounting Brackets (P) attached to the Rafters.
4. Then, use Bolts (Pp) to affix the Rafters (L1) onto the top of the structure going through the Mounting Brackets (O) attached to the Rafters.

**Note: Rafters must be affixed where hole screws are closer to the center**



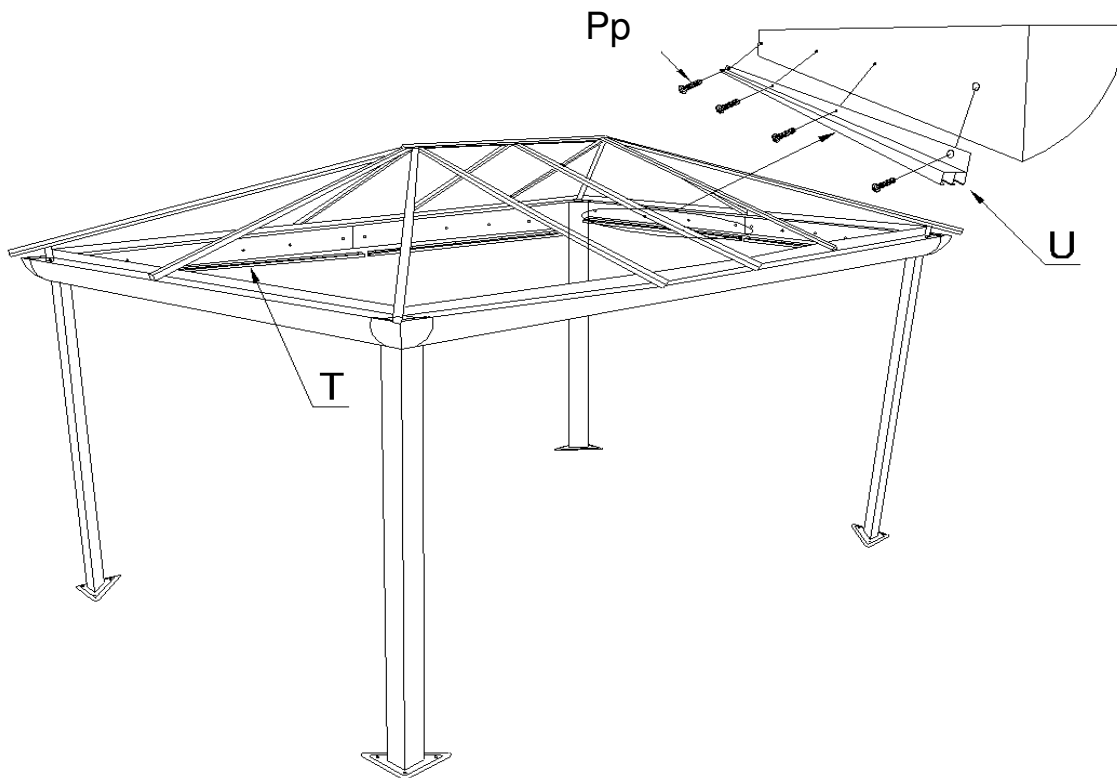
### Step 6:

1. Install the Flashings "Q", "R", and "S" onto the Beam assembly, using Screws "Qq" on the inside. The notched end of a Flashing will always go in a corner of the gazebo.



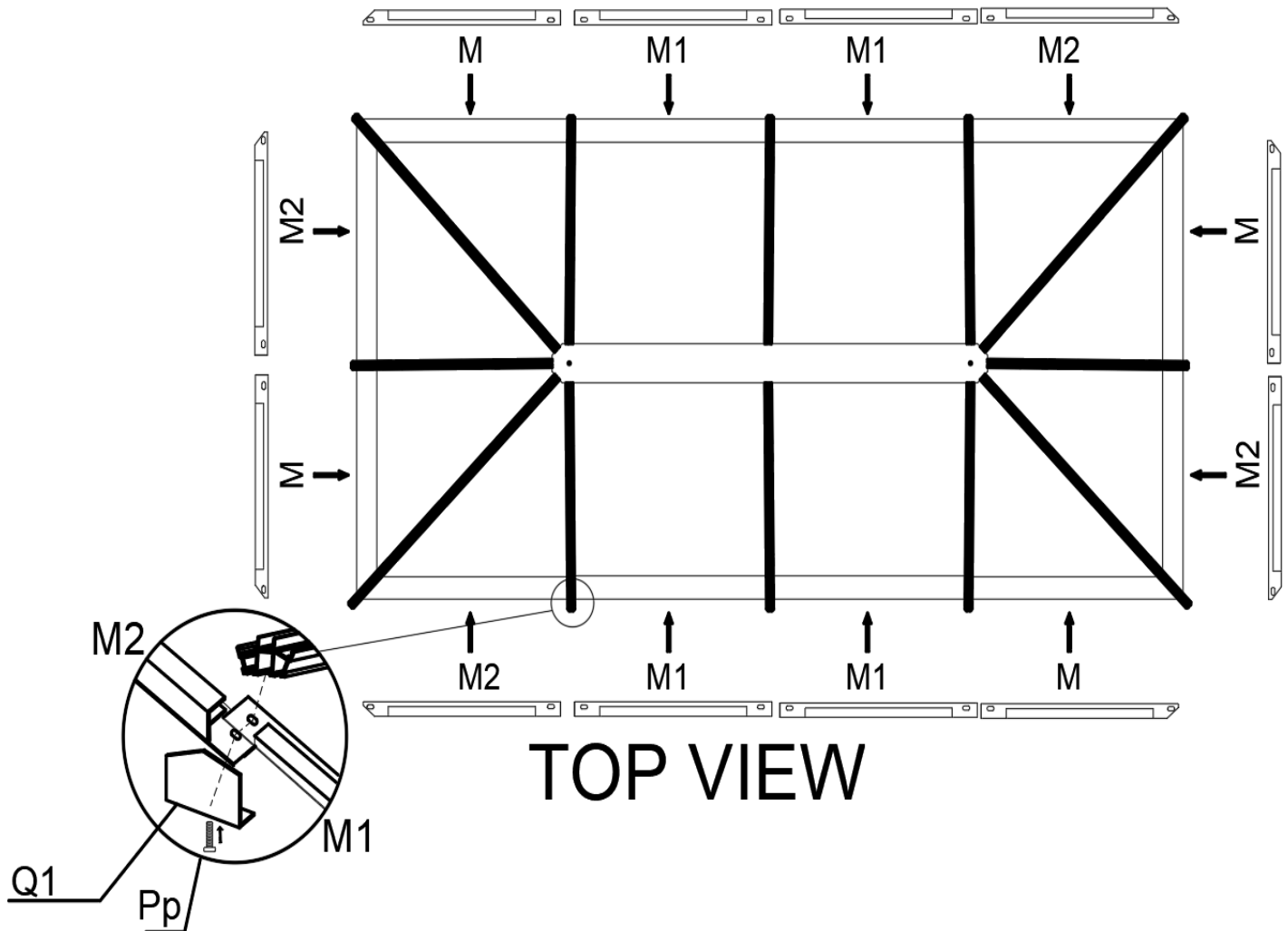
### Step 7:

1. Install the Curtain Rails "T" and "U" on the inside of the beam assembly using Bolts "Pp".



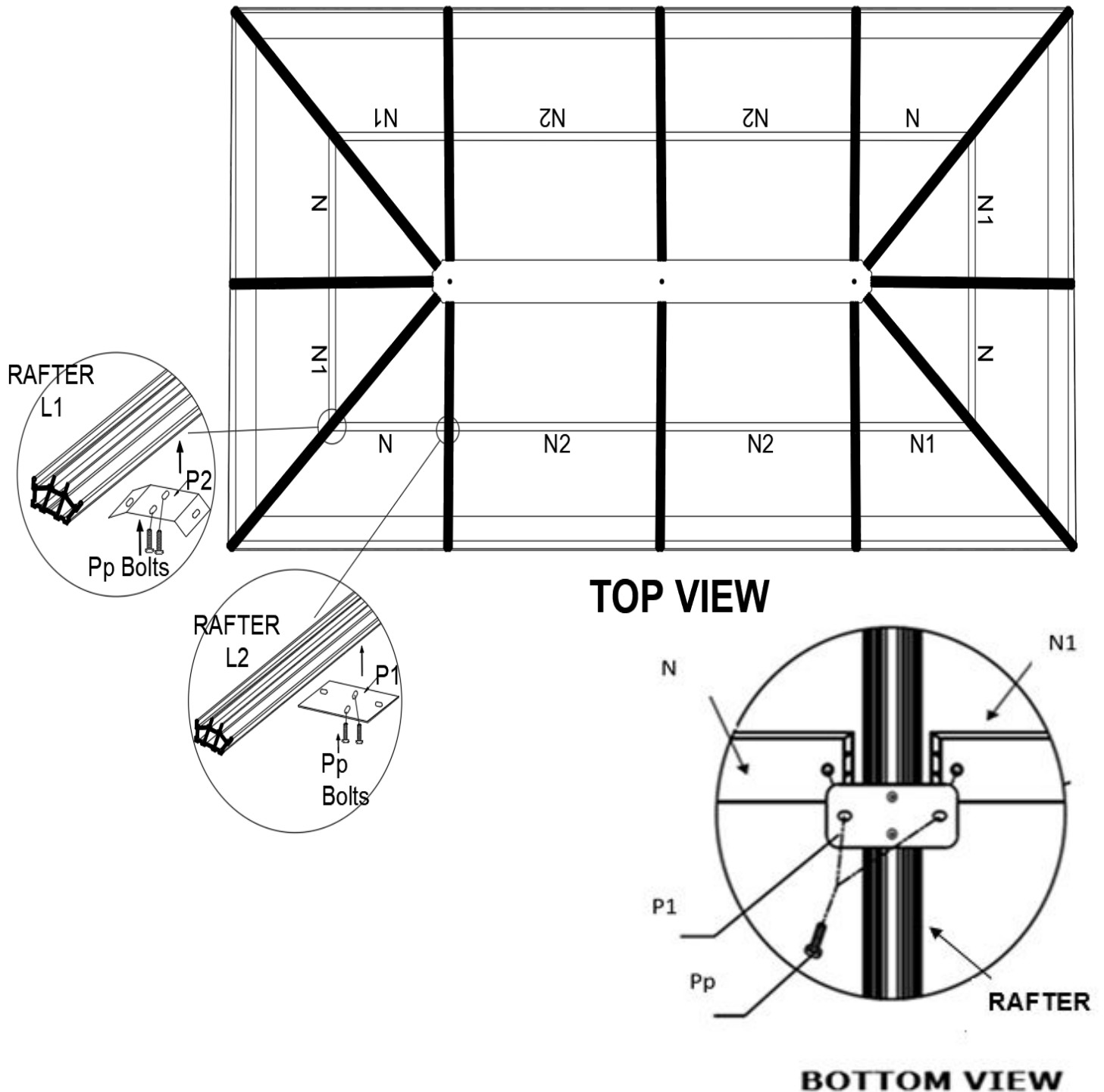
### Step 8:

1. Place Finishing Bars (M, M1) next to each other and align the pre-drilled holes in each bar one on top of the other.
2. Place Finishing End & Corner Bracket (Q1, Q2) over the aligned holes and secure with Bolts (Pp).
3. Repeat process with all Finishing Bars as illustrated.
4. In order to finish the installation of the last Finishing Bar (M) you have to unscrew the first Bolts (Pp) at your starting point and place (Q1, Q2) then re-install the Bolt (Pp).



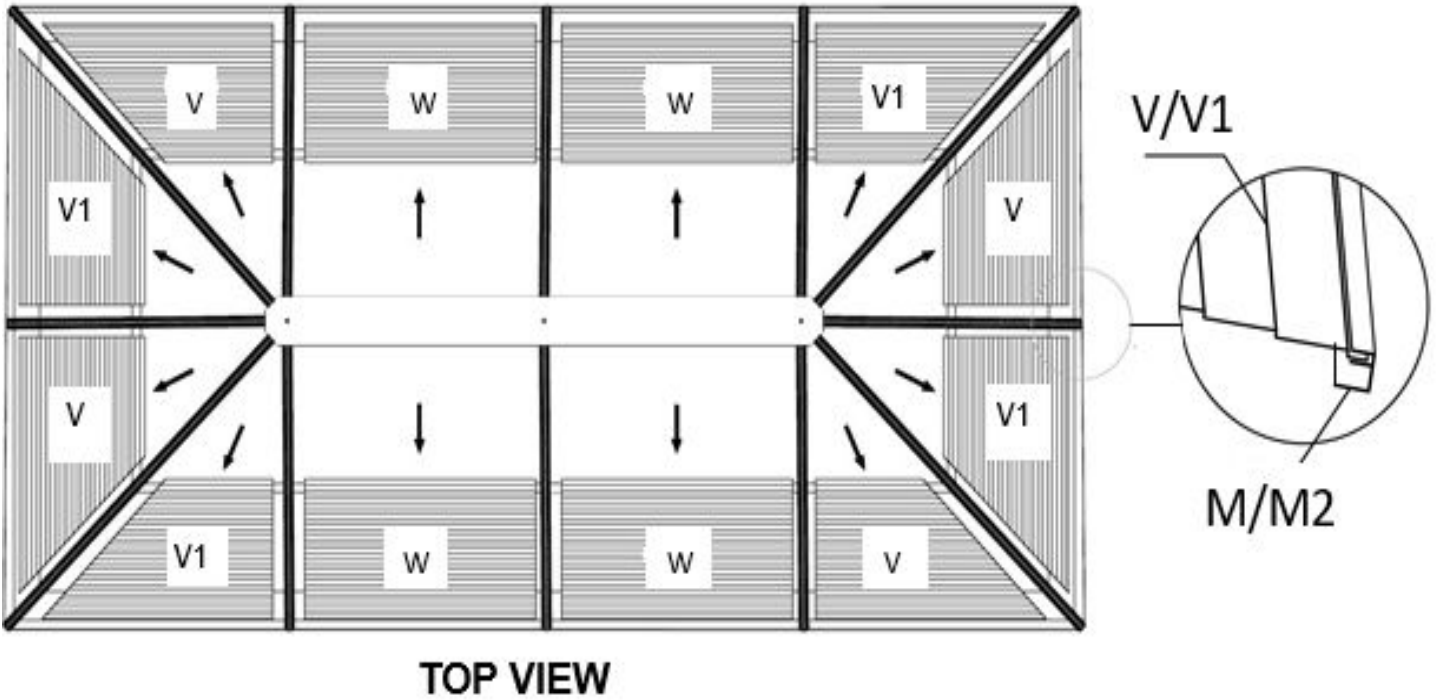
### Step 9:

1. From the inside of the Gazebo, install the Solidifying Bar (N, N1, N2) as illustrated using the Bolts (Pp).
2. Each Bolt (Pp) must be inserted into the inserts of the Rafters.



**Step 10:**

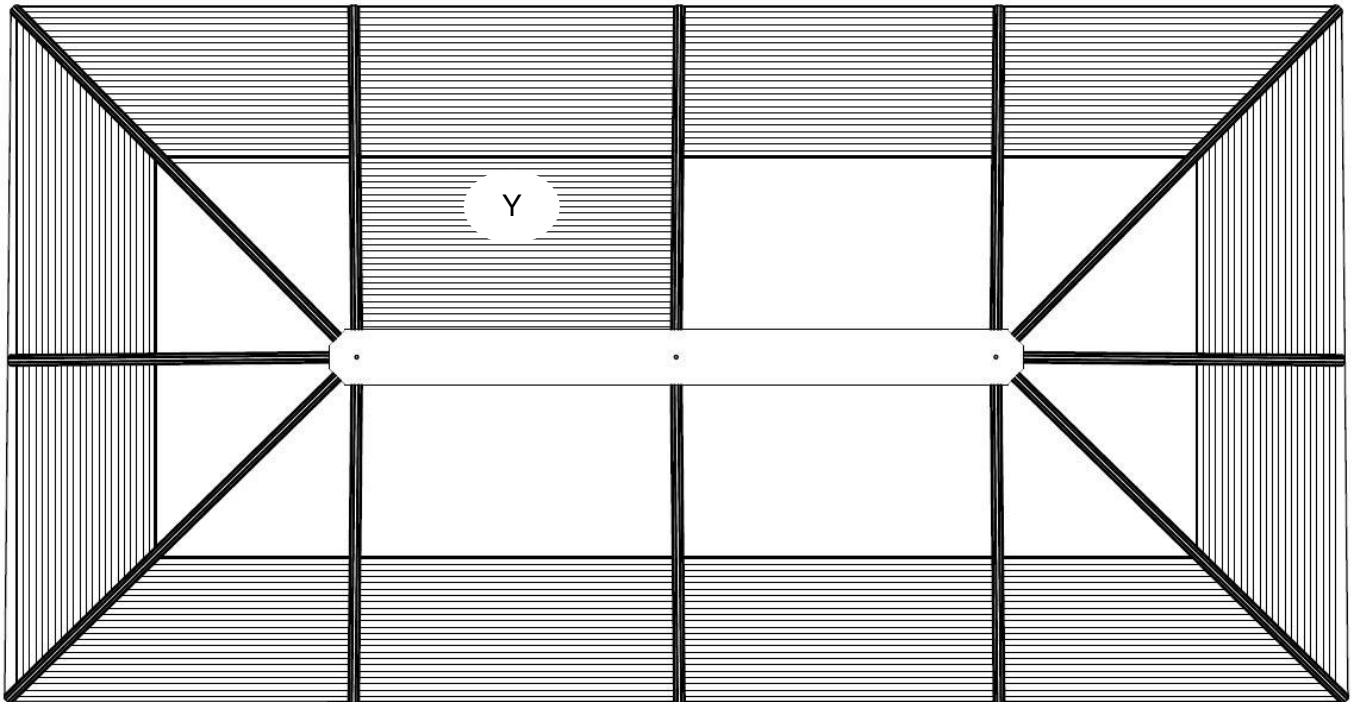
1. Install the Bottom Roof Panels (V, V1, W) by sliding them onto finishing bars (M, M1, M2).



**Step 11:**

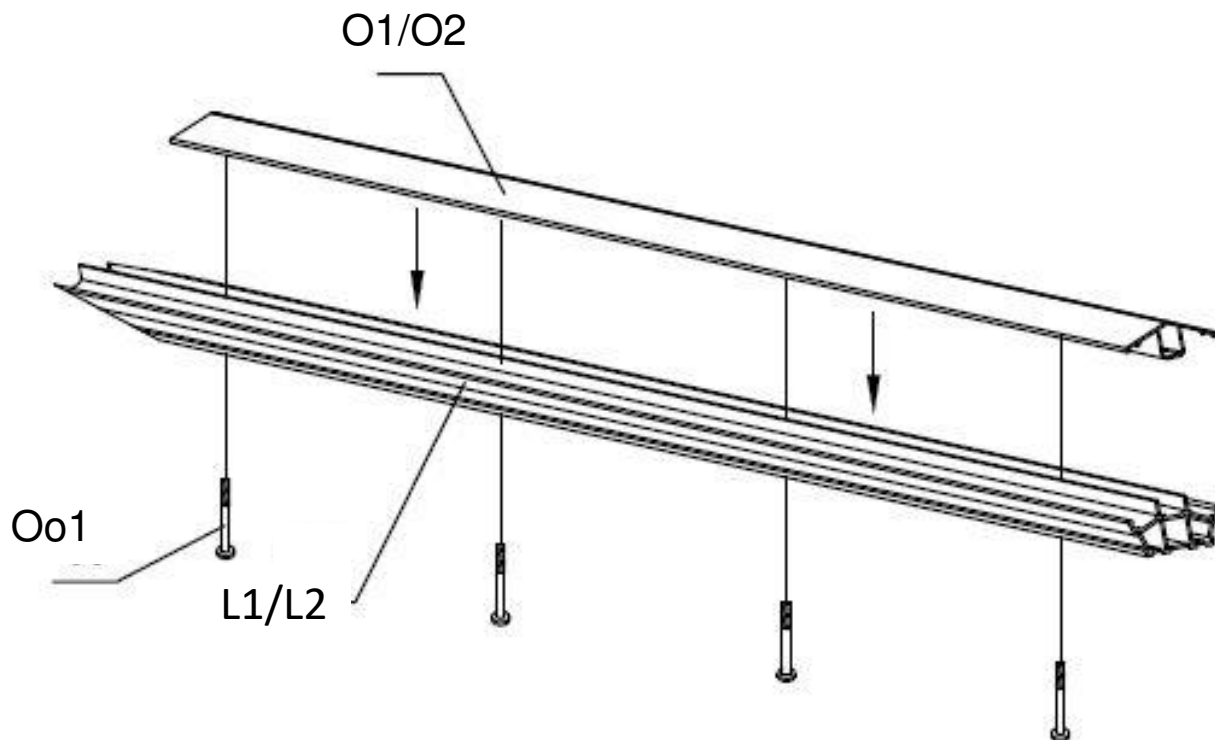
Install first Upper Roof Panel (Y) by sliding it on top of Roof Rafters (L1, L2).

**Note: Roof Panel must be held in place until it is secured with the Cover Cap.**



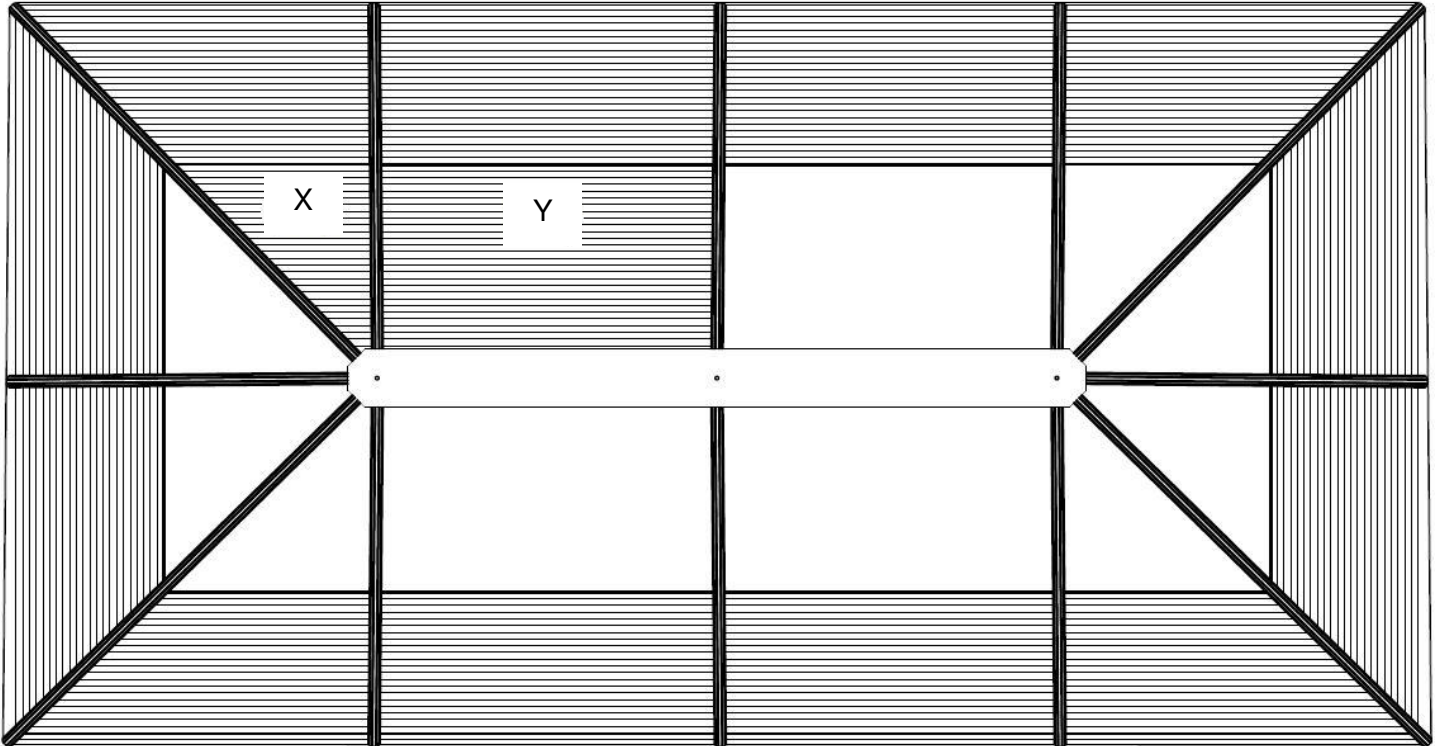
## Step 12:

1. Once the installation of the panel is complete, install a Cover Roof Bar (O1, O2) onto the roof Rafter (L1, L2) with the help of Bolts (Oo1).
2. Place Cover Roof Rafter on top of Roof Rafter, but do not completely screw it until both panels connected to the Roof Rafter are placed.



**Step 13:**

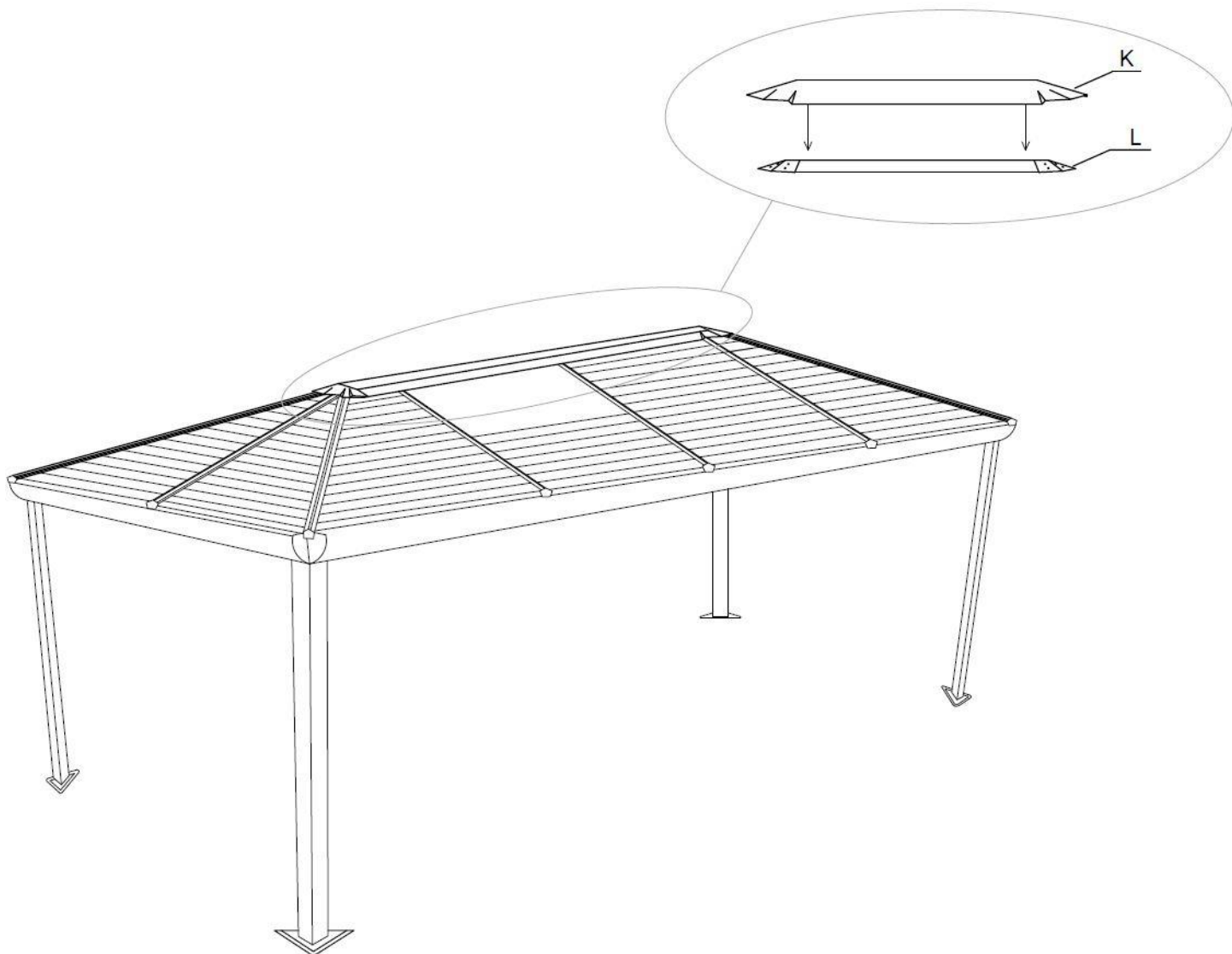
1. Install the next Upper Roof Panel (X) by sliding it on top of roof Rafters (L1, L2) then secure with mutual Cover Roof Bar.
2. Continue to install the other panels one at time until the last section.



**TOP VIEW**

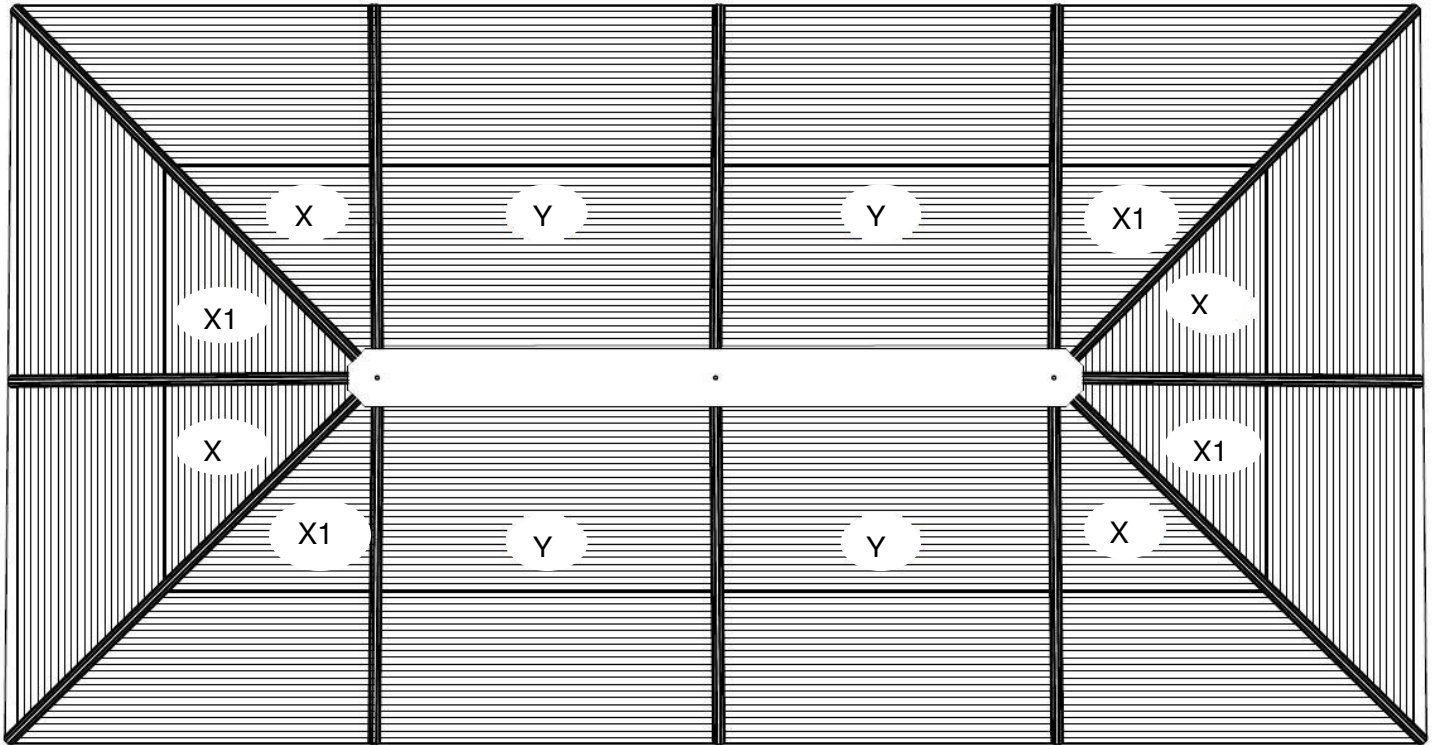
**Step 14:**

1. Before installing last Upper Roof Panel (X1), put Cap (K) on top of the Central Hub (L)



**Step 15:**

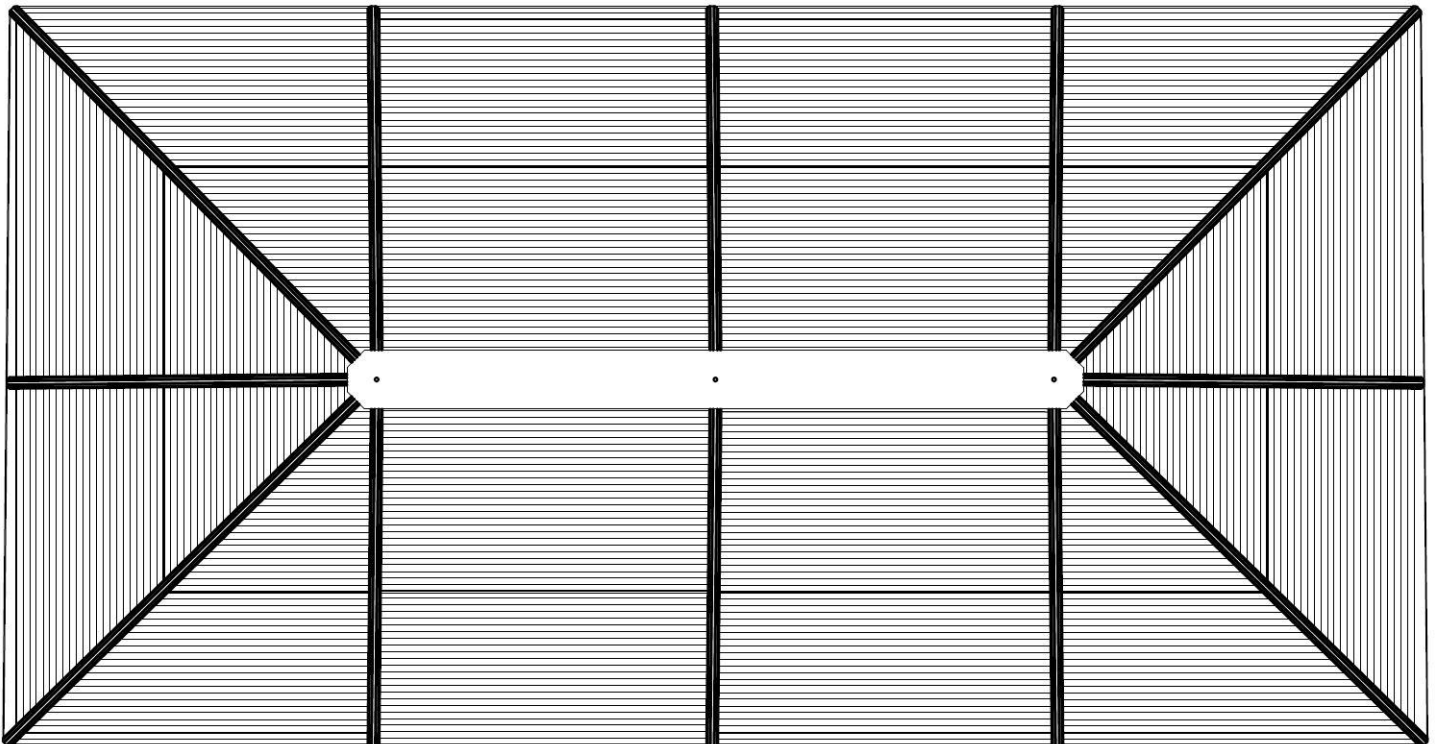
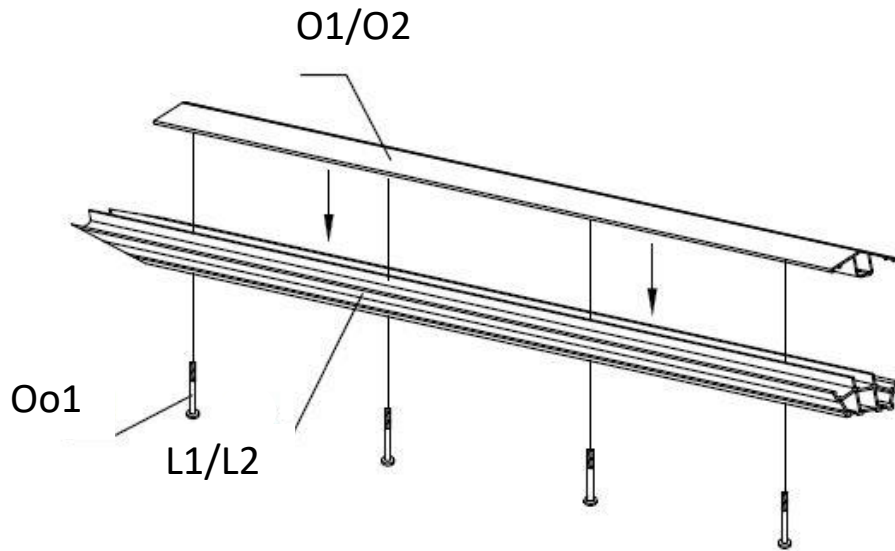
1. Install the last Upper Roof Panel (X1)



**TOP VIEW**

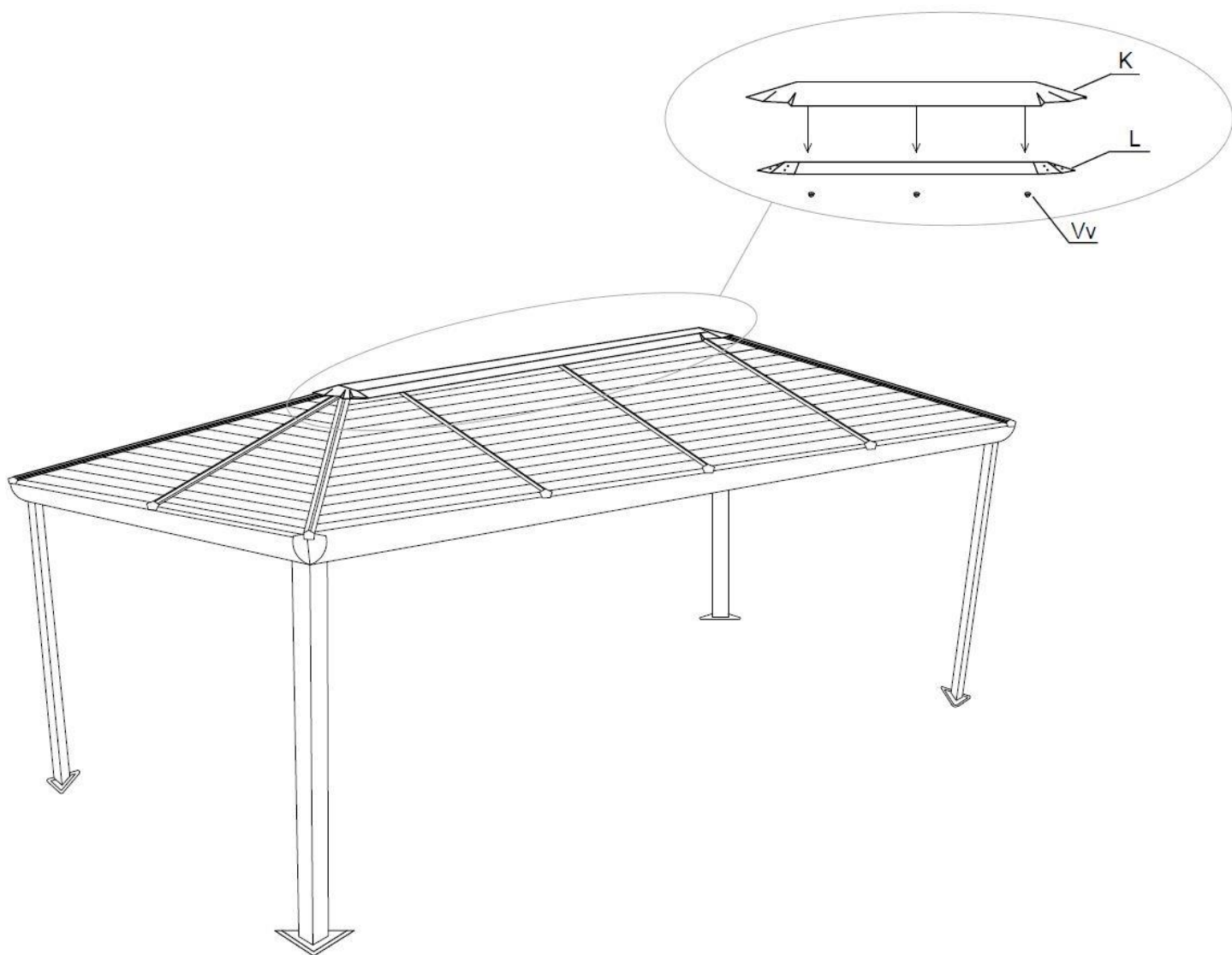
**Step 16:**

1. Once the last Upper Roof Panel is installed, screw last Cover Roof Bars (O1, O2) to the Rafter (L1, L2) with Bolts (Oo1).



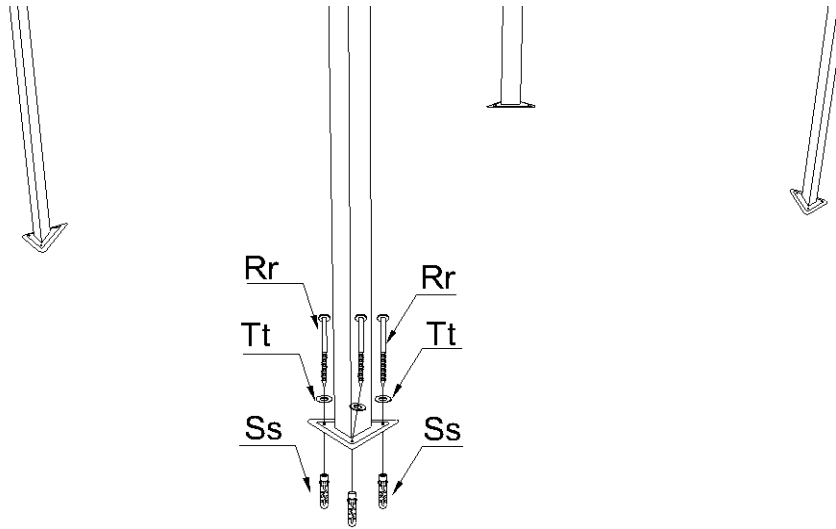
**Step 17:**

1. Use Nut (Vv) to affix Top Cap (K) to the Central Hub (L).



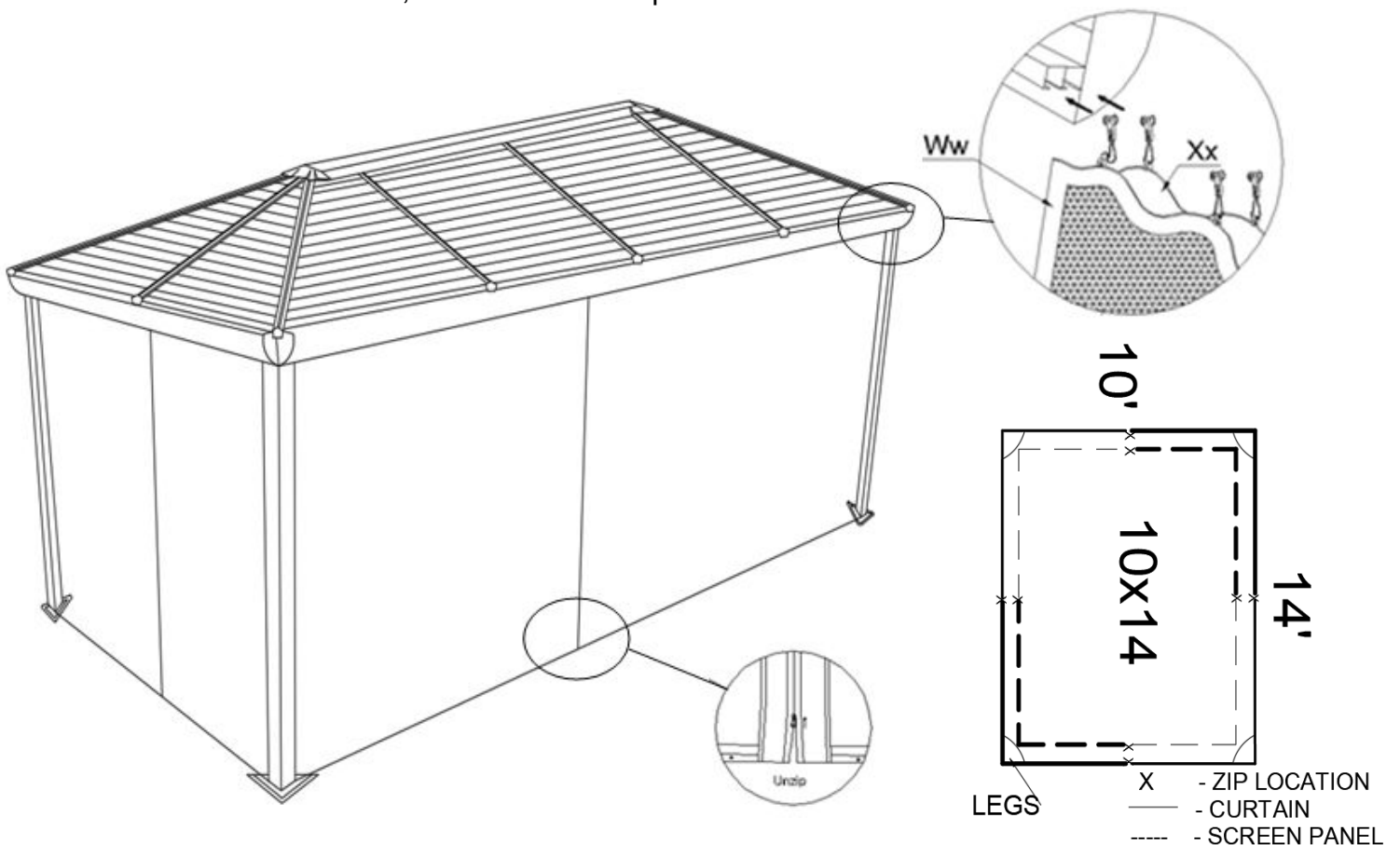
Step 18:

1. Secure each foot plate into the ground using Screws "Rr" and Washers "Tt".
2. Use Lag Shields (Ss) if needed for harder surfaces.



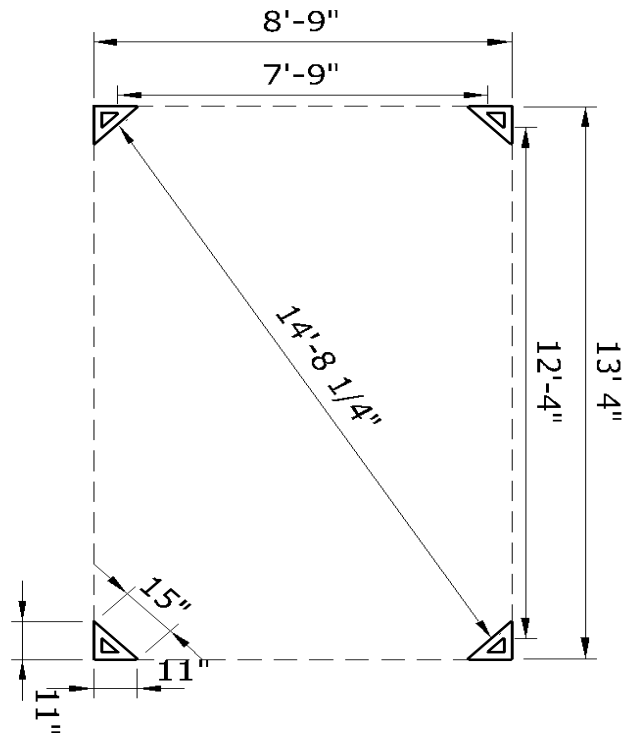
Step 19:

1. Install the Screen Curtains "Ww" in the interior groove of the Curtain Rails, using the provided Hooks. Install the Privacy Curtains "Xx" in the exterior groove of the Rails. The curtains and screen panels facing diagonally to each other will be same.
2. Once the hooks are in, use curtain rail caps "Uu" to close ends of curtain rails.



**NOTE: The Dimensions Are Approximate.**

43204 GAZEBO  
PLAN A LA BASE DES PATTES  
PLAN AT BASE OF LEGS



43204 GAZEBO  
REBORD DU TOIT  
ROOF OVERHANG

